

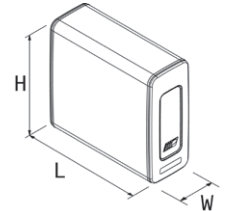
Sidewalls 638 mm h x 270 mm w

Mounting kit available:



REAR

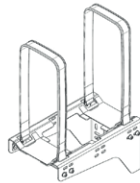
Materials available:



Product	L*	Features included	Filter Flange Code	Dimensions Only tank L x H x W	Material	Product code NSOA: Aluminium NSOF: Painted steel NSOI: Stainless steel	Mounting kit
Classic (RC)	110	- spy eye 1"	135	700 x 638 x 270	A/F/I	-0110070RC10	Rear: AKMI06302705NTR AKMISBZ632750N0
	135	- suction connection 1" 1/4 - air breather cap h 69mm - adjustable ball valve 1" 1/4		860 x 638 x 270	A/F/I	-0135086RC10	
	180	- spy eye 1"		1150 x 638 x 270	A/F/I	-01800115RC10	Rear: AKMI06302705NTR AKMFRFT632750N0
	200	- suction connection 1" 1/2 - air breather cap h 69mm - adjustable ball valve 1" 1/2		1260 x 638 x 270	A/F/I	-0200126RC10	
2 Filter Flange (RC30)	200	- spy eye 1" - 2x suction connection 1" 1/2 - return connection 1" - air breather cap h 69mm - adjustable ball valve 1" 1/2	2 x 135	1260 x 638 x 270	A/F/I	-0200126RC40	

* Full tank capacity - Scan the qr code for level indicator capacity and technical features

AKMISBZ632750N0



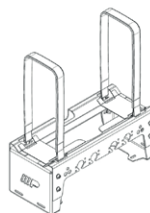
Shelf rear mounting kit with stainless steel straps (50mm)

AKMI06302705NTR



Rear mounting kit with two brackets and stainless steel straps (50mm)

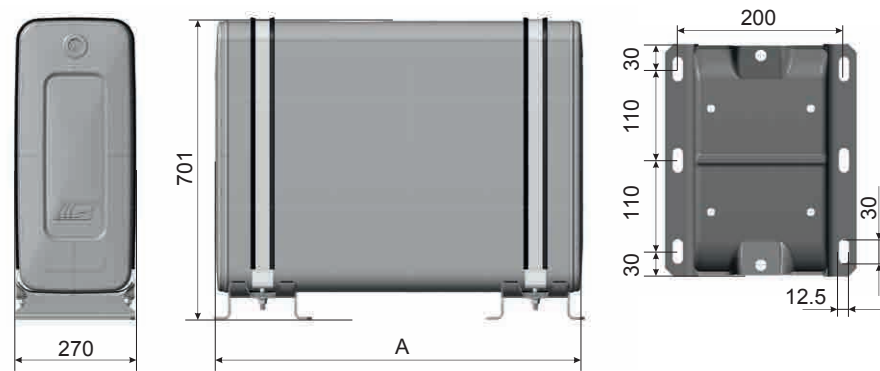
AKMFRFT632750N0



Beam rear mounting kit with stainless steel straps (50mm)

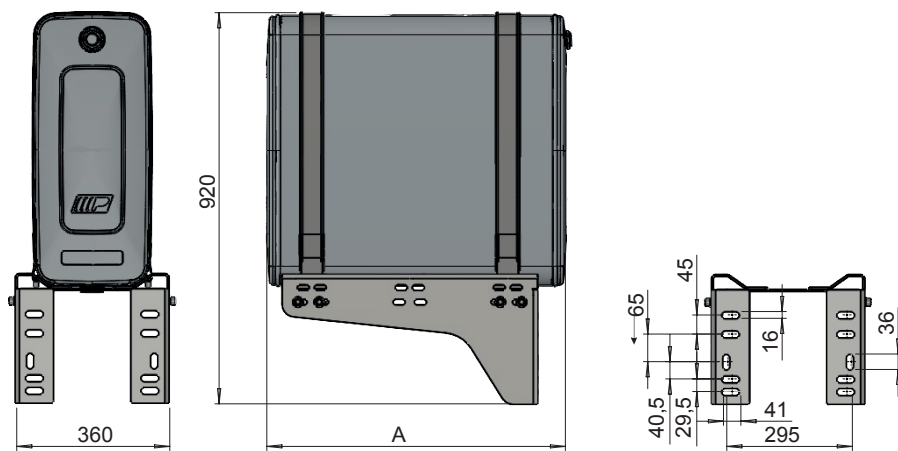
Mounting specifics

A	Level indicator capacity
(mm)	(l)
700	099
860	123
1150	165
1260	182



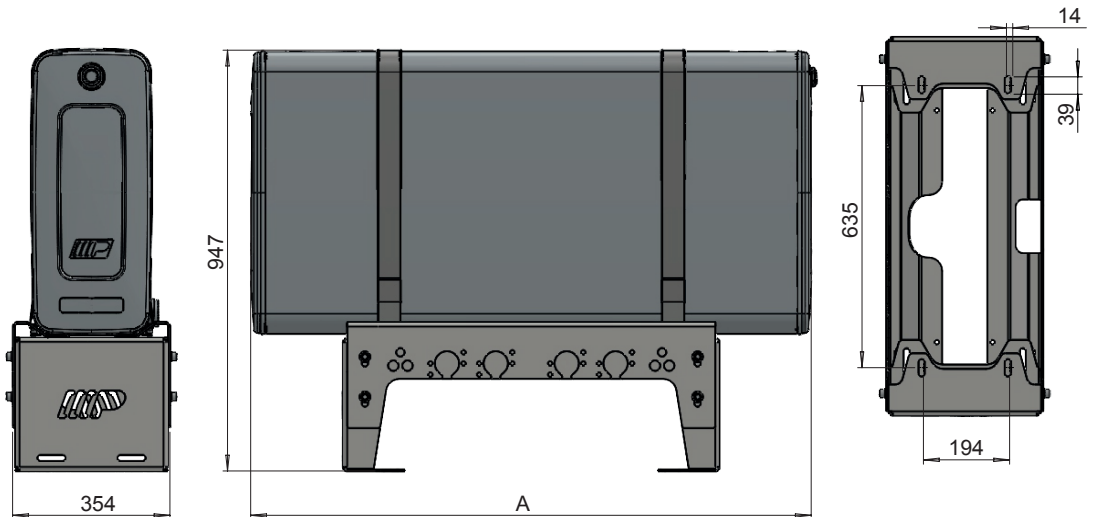
Kit with two brackets and stainless steel straps

A	Level indicator capacity
(mm)	(l)
700	099
860	123



Shelf rear mounting kit with stainless steel straps


A	Level indicator capacity
(mm)	(l)
1150	165
1260	182




Beam rear mounting kit with stainless steel straps

ACCESSORIES

Semi-immersed Return Filters

	Filter Flange	l/min flow	Micron / μm	Inlet Connection	Product Code	Spare Parts Cartridge
	135	250 L/min	40 μm microfibre	1" 1/4	AFO0SEM136125CF	AFO0ELF205070CF
		200 L/min	21 μm microfibre	1" 1/4	AFO0SEM136125F2	AFO0ELF205070F2
		150 L/min	10 μm paper	1" 1/4	AFO0SEM136125C1	AFO0ELF205070C1


* Immersed Return Filters for Easy Kit

	Filter Flange	l/min flow	Micron / μm	Inlet Connection	Product Code	Spare Parts Cartridge
	135	250 L/min	40 μm microfibre	/	AFO0IMM090340CF	AFO0ELF205070CF
		200 L/min	21 μm microfibre	/	AFO0IMM090340F2	AFO0ELF205070F2
		150 L/min	10 μm paper	/	AFO0IMM090340C1	AFO0ELF205070C1




* Customized valve plates are available on request according to the tipping valve layout required. Inform our team about your requirements.

Immersed Easy Filters (360°)

	Filter Flange	l/min flow	Micron / μm	Inlet Connection	Product Code	Spare Parts Cartridge
	135	220 L/min	40 μm microfibre	1"	AFO0IMM134100CF	AFO0ELF205070CF
		180 L/min	21 μm microfibre	1"	AFO0IMM134100F2	AFO0ELF205070F2
		150 L/min	10 μm paper	1"	AFO0IMM134100C1	AFO0ELF205070C1

In-line filters

	l/min flow	Micron / μm	Inlet connection	Product Code	Spare Parts Cartridge
	150 L/min	25 μm microfibre	1"	AFO0LIN000100F2	AFO0ELF177096F2
	170 L/min	60 μm wire mesh	1"	AFO0LIN000100RM	AFO0ELF177096RM
	230 L/min	25 μm microfibre	1" 1/4	AFO0LIN000125F2	AFO0ELF177096F2
	270 L/min	60 μm wire mesh	1" 1/4	AFO0LIN000125RM	AFO0ELF177096RM

ACCESSORIES

Filter's clogging visual indicator



Products Range	Description	Specifics	Product Code	Spare Parts
Oil / Combined tanks	Filter's clogging visual indicator	R 1/8" - EN 10226	AI10MPF195VSR42	/

Aluminium cover with return connection and pipe



Products Range	Description	Specifics	Product Code	Spare Parts
Oil / Combined tanks	Aluminium cover 160mm	1" return connecton and pipe	ACFA1604F010027	/

Air breather caps



Products Range	Description	Specifics	Product Code	Spare Parts Cartridge
RC / RC30	Air breather cap with air filter cartridge, fixing screws and anti-splash	69mm (h) air cartridge paper 10 µm 1800 L/min	ATP0PLSCAR0L110	AFA0CARCILT0P10


Level indicators



Products Range	Description	Specifics	Product Code	Spare Parts
Classic	10x Round aluminium level gauge	1"	AKI0INDLVL100AL	/

ACCESSORIES


Adjustable ball valves

	Products Range	Description	Specifics	Product Code	Spare Parts
	Oil tank / Combined tanks with 1" 1/4 suction connection	Adjustable ball valve M/F with lever	1" 1/4	ARU0ABV12500100	/
	Oil tank / Combined tanks with 1" 1/2 suction connection		1" 1/2	ARU0ABV15000100	

Pipe fittings

	Products Range	Description	Specifics	Product Code	Spare Parts
	Oil tank / Combined tanks with 1" 1/4 suction connection	Straight pipe fitting ø40mm hose inox band and sealing	1" 1/4	ARA0PDNPGM12500	/
		Straight pipe fitting ø50mm hose inox band and sealing	1" 1/4	ARA0PDNPGM12000	
	Oil tank / Combined tanks with 1" 1/2 suction connection	Straight pipe fitting ø40mm hose inox band and sealing	1" 1/2	ARA0PDNPGM15100	
		Straight pipe fitting ø50mm hose inox band and sealing	1" 1/2	ARA0PDNPGM15000	
	Oil tank / Combined tanks with 1" 1/4 suction connection	45° adjustable pipe fitting ø50mm hose inox band and sealing	1" 1/4	ARA0PDNPGM12025	/
		45° adjustable pipe fitting ø40mm hose inox band and sealing	1" 1/4	ARA0PDNPGM12525	
	Oil tank / Combined tanks with 1" 1/2 suction connection	45° adjustable pipe fitting ø50mm hose inox band and sealing	1" 1/2	ARA0PDNPGM15025	
	Oil tank / Combined tanks with 1" 1/4 suction connection	90° adjustable pipe fitting ø40mm hose inox band and sealing	1" 1/4	ARA0PDNPGM12550	/
		90° adjustable pipe fitting ø50mm hose inox band and sealing	1" 1/4	ARA0PDNPGM12050	
	Oil tank / Combined tanks with 1" 1/2 suction connection	90° adjustable pipe fitting ø50mm hose inox band and sealing	1" 1/2	ARA0PDNPGM15050	

Adjustable fittings

	Products Range	Description	Specifics	Product Code	Spare Parts
	Oil tank / Combined tanks with 1" 1/4 suction connection	90° adjustable fitting M/F	1" 1/4	ARA0PDNFLT12550	/
	Oil tank / Combined tanks with 1" 1/2 suction connection		1" 1/2	ARA0PDNFLT15050	/