

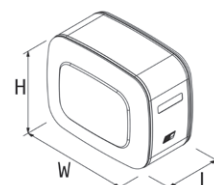
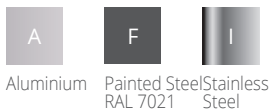
63/70

Sidewalls 636 mm h x 706 mm w

Mounting kit available:



Materials available:



| Product | L* | Features included | Filter Flange Code | Dimensions Only tank L x H x W | Material | Product code NSOA: Aluminium NSOF: Painted steel NSOI: Stainless steel | Mounting kit |
|---------------------|-----|--|--------------------|-----------------------------------|---------------|---|--|
| Multi Function (MF) | 135 | - spy eye 1" - suction connection 1" 1/2 - 2x return connection 1" | 135 | 350 x 636 x 706 | A/F/I | - 0135035MF00 | Side: AKMISLT06307004 Rear: AKMISRC06307004 |
| | 150 | - return connection 1" 1/4 | | 400 x 636 x 706 | A/F/I | - 0150040FM00 | Side: AKMISLT06307005 Rear: AKMISRC06307005 |
| | 170 | - air breather cap h 43mm | | 450 x 636 x 706 | A/F/I | - 0170045MF00 | |
| | 200 | - adjustable ball valve 1" 1/2 | | 500 x 636 x 706 | A/F/I | - 0200050MF00 | |
| | 250 | - spy eye 1" - suction connection 2" - 2x return connection 1" - air breather cap h 43mm - adjustable ball valve 2" | 195 | 600 x 636 x 706 | A/F/I | - 0250060CF00 | |
| Monobacket | 120 | - spy eye 1" - suction connection 1" 1/2 | 135 | 300 x 636 x 706 | A/F/I | - 0120030MFMS | Monobacket side mounting kit included |
| | 135 | - return connection 1" - air breather cap h 43mm - adjustable ball valve 1" 1/2 | | 350 x 636 x 706 | A/F/I | - 0135035MFMS | |
| Valve Plate (MFPG) | 135 | - spy eye 1" - suction connection 1" 1/2 | 135 | 350 x 636 x 706 | A/F/I | - 0135035MFPG | Side: AKMISLT06307004 Rear: AKMISRC06307004 |
| | 150 | - 2x return connection 1" | | 400 x 636 x 706 | A/F/I | - 0150040MFPG | Side: AKMISLT06307005 Rear: AKMISRC06307005 |
| | 170 | - air breather cap h 43mm | | 450 x 636 x 706 | A/F/I | - 0170045MFPG | |
| | 200 | - adjustable ball valve 1" 1/2 | | 500 x 636 x 706 | A/F/I | - 0200050MFPG | |
| | 250 | | 600 x 636 x 706 | A/F/I | - 0250060MFPG | | |
| Compact | 135 | - spy eye 1" - suction connection 1" 1/4 - return connection 1" - air breather cap h 43mm - adjustable ball valve 1" 1/4 | 135 | 350 x 636 x 706 | A/F/I | - 0135035RC00 | Rear mounting Kit Included |

* Full tank capacity - Scan the qr code for level indicator capacity and technical features

AKMISLT06307004



Side mounting kit with two brackets and stainless steel straps (40mm)

AKMISLT06307005

Side mounting kit with two brackets and stainless steel straps (50mm)

AKMISRC06307004



Rear mounting kit with two brackets and stainless steel straps (40mm)

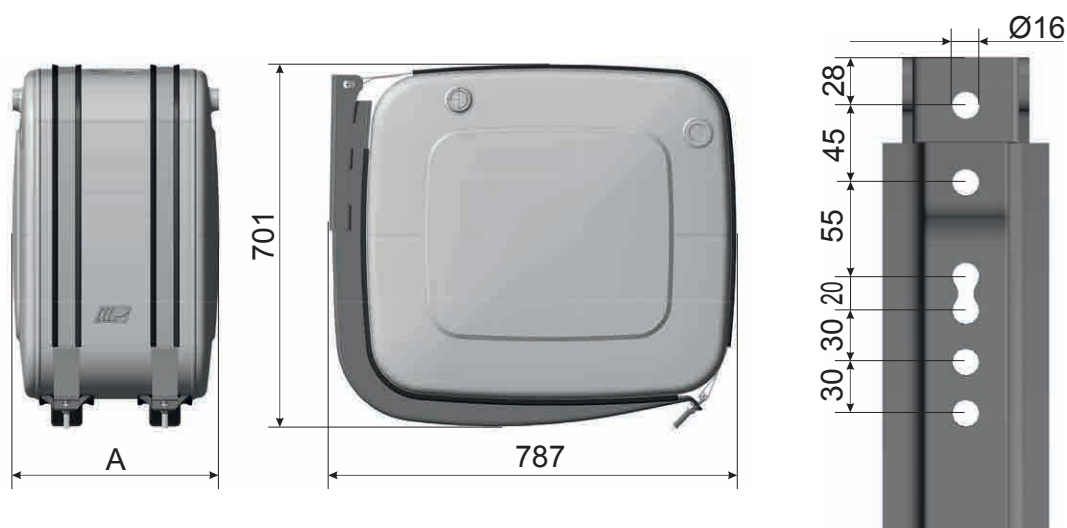
AKMISRC06307005

Rear mounting kit with two brackets and stainless steel straps (50mm)

63/70 SIDE MOUNTING

Mounting specifics

| A | Level indicator capacity |
|------|--------------------------|
| (mm) | (l) |
| 300 | 093 |
| 350 | 109 |
| 400 | 126 |
| 450 | 143 |
| 500 | 160 |
| 600 | 194 |



63/70 REAR MOUNTING

Mounting specifics

| A | Level indicator capacity |
|------|--------------------------|
| (mm) | (l) |
| 300 | 093 |
| 350 | 109 |
| 400 | 126 |
| 450 | 143 |
| 500 | 160 |
| 600 | 194 |

