



50/64



Aluminium



Painted Steel
RAL 7021

This oil tank is equipped with sight temperature gauge
Mounting kit: available for saddlemount and upright installation.

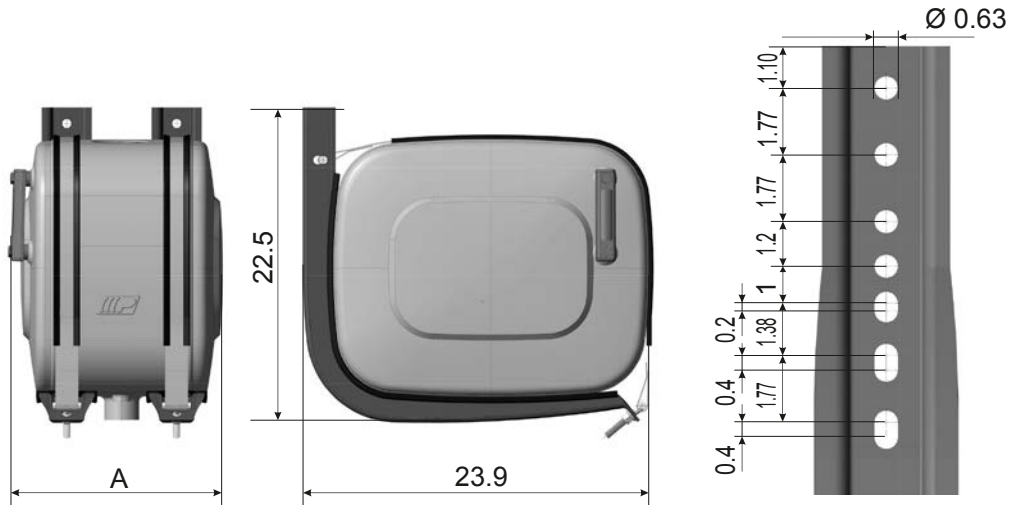
50/64 (sidewalls 20" h x 25,1" w)

Products range	Filter Flange	Level Indicator L = Level gauge	Returns	Valve Plate	Mounting kit	Suction Connection	GAL*	Dimensions (in) L x H x W	Material	Product Code NSOF = Steel NSOA = Aluminium
Multi Function (MF)	● embossed 135	● L	● 1" 1/4 NPT	●	● Saddlemount/ Upright	1" 1/2 NPT	28	15,7x20x25,1	F	- 0100040US00
							32	17,7x20x25,1	F	- 0120045US00
							40	21,6x20x25,1	A/F	- 0150055US00

* Full tank capacity ● included ○ predisposed (not incl) ● not included in the standard tanks

Mounting specifics - SADDLEMOUNT INSTALLATION

A (IN)	Level indicator capacity (U.S. GAL)
14.6	24 - 18.5
16.5	27.5 - 21.5
22.5	34 - 26.5



Mounting specifics - UPRIGHT INSTALLATION

A (IN)	Level indicator capacity (U.S. GAL)
14.6	24 - 18.5
16.5	27.5 - 21.5
22.5	34 - 26.5

