

# ACCESSORIES OIL TANKS

## Semi-immersed Return Filters

for all tanks excluded 26/36 and 36/26



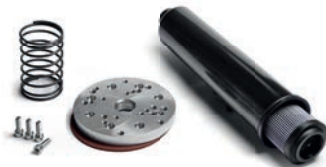
						Oil and combined tanks
Filter Flange	l/min flow	Micron µm	Inlet Connection	Product Code	Spare Parts-Cartridge	
135	250 l/min	40 µm microfibre	1"1/4	AF00SEM136125CF	AF00ELF205070CF	
	200 l/min	21 µm microfibre	1"1/4	AF00SEM136125F2	AF00ELF205070F2	
	150 l/min	10 µm paper	1"1/4	AF00SEM136125C1	AF00ELF205070C1	
195	300 l/min	60 µm wire mesh	1"1/4	AF00SEM195125CL	AF00ELF210100RM	
	250 l/min	21 µm microfibre	1"1/4	AF00SEM195125F2	AF00ELF211099F2	
	250 l/min	10 µm paper	1"1/4	AF00SEM19512510	AF00ELF211099C1	
195	300 l/min	60 µm wire mesh	1"1/4 + 3/4"	AF00SEM195225CL	AF00ELF210100RM	
	250 l/min	21 µm microfibre	1"1/4 + 3/4"	AF00SEM195225F2	AF00ELF211099F2	
	250 l/min	10 µm paper	1"1/4 + 3/4"	AF00SEM19522510	AF00ELF211099C1	

only for 26/36 – 36/26 oil tanks

135	150 l/min	60 µm wire mesh	1"	AF00SEM135100ST	AF00ELF128070BF	
	125 l/min	21 µm microfibre	1"	AF00SEM135100F2	AF00ELF13007025	

## \* Immersed Return Filters for Easy Kit

for all tanks excluded 26/36 and 36/26



						Oil and combined tanks
Filter Flange	l/min flow	Micron µm	Inlet Connection	Product Code	Spare Parts-Cartridge	
135	250 l/min	40 µm microfibre	/	AF00IMM090340CF	AF00ELF205070CF	
	200 l/min	21 µm microfibre	/	AF00IMM090340F2	AF00ELF205070F2	
	150 l/min	10 µm paper	/	AF00IMM090340C1	AF00ELF205070C1	

only for 26/36 – 36/26 oil tanks

135	150 l/min	60 µm wire mesh	1"	AF00IMM090240RM	AF00ELF142070RM	
	125 l/min	21 µm microfibre	1"	AF00IMM090240F2	AF00ELF142070F2	

\* Customized valve plates are available on request according to your tipping valve hole combination

## Immersed Easy Filters

for all tanks excluded 26/36 and 36/26



						Oil and combined tanks
Filter Flange	l/min flow	Micron µm	Inlet Connection	Product Code	Spare Parts-Cartridge	
135	220 l/min	40 µm microfibre	1"	AF00IMM134100CF	AF00ELF205070CF	
	180 l/min	21 µm microfibre	1"	AF00IMM134100F2	AF00ELF205070F2	
	150 l/min	10 µm paper	1"	AF00IMM134100C1	AF00ELF205070C1	

only for 26/36 – 36/26 oil tanks

135	150 l/min	60 µm wire mesh	1"	AF00IMM134101ST	AF00ELF142070RM	
	125 l/min	21 µm microfibre	1"	AF00IMM134101F2	AF00ELF142070F2	

## Evo Filters



						Oil and combined tanks
Filter Flange	l/min flow	Micron µm	Inlet Connection	Product Code	Spare Parts-Cartridge	
Evo	220 l/min	40 µm microfibre	1"1/4	AF00SFL251125CF	AF00ELF255059F4	
	180 l/min	21 µm microfibre	1"1/4	AF00SFL251125F2	AF00ELF255059F2	
	150 l/min	10 µm paper	1"1/4	AF00SFL251125CC	AF00ELF255059C1	

# ACCESSORIES OIL TANKS

## Air breather caps



				Oil and combined tanks
Products Range	Description	Specifics	Product Code	Spare Parts-Cartridge
MF / Monobacket / Compact 75lt - 90lt / T20 / MFPG	Air breather cap with air filter, fixing screws and anti-splash	h 41 mm - air cartridge paper 10 µm	ATPOPLSCAR0LI20	AFA0CARCILT0P20
RC / RC30	Air breather cap with air filter, fixing screws and anti-splash	h 69 mm - air cartridge paper 10 µm	ATPOPLSCAR0LI10	AFA0CARCILT0P10

## Level indicators



				Oil and combined tanks
Products Range	Description	Specifics	Product Code	Spare Parts
MF / Monobacket / Compact / MFPG / Classic	round aluminium level gauge	1"	AILOROTLIQ100AL	/
26/36 / 36/26	round aluminium level gauge	3/4"	AILOROTLIQ075AL	/
MF (44/54 60-70lt)	sight level gauge	not graduated - 127 mm distance between centers (M12)	AILOVISLIQ12701	/
T20*	sight level gauge	not graduated - 254 mm distance between centers (M12)	AILOVISLIQ25400	/
		not graduated - 254 mm distance between centers (M12)- low level electric sensor, 2,5 mm wire connection	AILOVISLIQ254CE	/
		graduated - 254 mm distance between centers (M12) - with thermometer	AILOVISLIQ254TR	/

\* not included in the standard tank

## Adjustable ball valves



				Oil and combined tanks
Products Range	Description	Specifics	Product Code	Spare Parts
Oil tanks	adjustable ball valve MF with lever	1"1/4	ARU0ABV12500100	/
	adjustable ball valve MF with lever	1"1/2	ARU0ABV15000100	/
	adjustable ball valve MF with lever	2"	ARU0ABV20000100	/
	adjustable ball valve MF with lever	2"1/2	ARU0ABV25000100	/

Fits with 26/36 and 36/26 oil tanks

Oil Tanks	adjustable ball valve MF with lever	1"1/4	ARU0ABV12500100
-----------	-------------------------------------	-------	-----------------

# ACCESSORIES OIL TANKS

## Pipe fittings

Oil and combined tanks

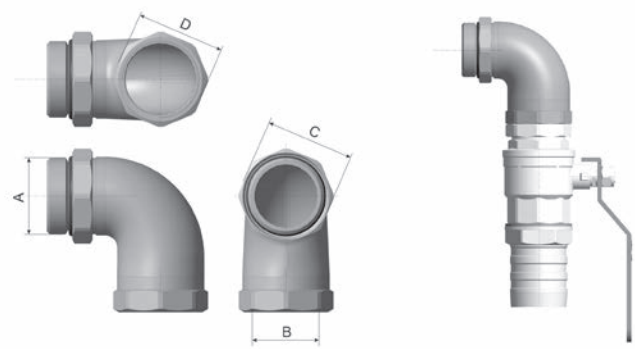
Products Range	Description	Specifics	Product Code	Spare Parts
Oil tanks	straight pipe fitting, Ø40mm HOSE, inox band and sealing	1"1/4	ARAOPDNPGM12500	/
	straight pipe fitting, Ø51mm HOSE, inox band and sealing	1"1/2	ARAOPDNPGM15000	/
	straight pipe fitting, Ø65mm HOSE, inox band and sealing	2"	ARAOPDNPGM20000	/
	straight pipe fitting, Ø64mm HOSE, steel painted	2" 1/2	ARAORR0PGM25000	/
	straight pipe fitting, Ø75mm HOSE, steel painted	2" 1/2	ARAORR0PGM25010	/
	90° adjustable pipe fitting, Ø40mm HOSE connection, inox band and sealing	1"1/4	ARAOPDNPGM12550	/
	90° adjustable pipe fitting, Ø51mm HOSE connection, inox band and sealing	1"1/2	ARAOPDNPGM15050	/
	90° adjustable pipe fitting, Ø65mm HOSE connection, inox band and sealing	2"	ARAOPDNPGM20050	/



A	B	C
(BSP)	(mm)	(mm)
1"1/4	40.7	49
1"1/2	50.7	55
2"	65.7	67

A	B	C
(BSP)	(mm)	(mm)
1"1/4	40.7	42
1"1/2	50.7	52
2"	65.7	67

A	B	C	D
(BSP)	(BSP)	(mm)	(mm)
1"1/4	1"1/4	49	49
1"1/2	1"1/2	55	55



# ACCESSORIES OIL TANKS

## Aluminium cover with return connection and pipe

Oil and combined tanks



Products Range	Description	Specifics	Product Code	Spare Parts
Oil tanks	Aluminium cover 160mm	1" return connection and pipe	ACFA1604F010027	/

## Filter's clogging visual indicator

Oil and combined tanks



Products Range	Description	Specifics	Product Code	Spare Parts
Oil tanks	Filter's clogging visual indicator	R 1/8" - EN 10226	AI10MPF195VSR42	/

### Semi-immersed Return Filters



					Oil and combined tanks
Filter Flange	l/min flow	Micron µm	Inlet Connection	Product Code	Spare Parts-Cartridge
135	200 l/min	10 µm microfibre Stat-free	2x1"	AFO0SEM135100H2	AFO0ELF135010H2
	200 l/min	21 µm microfibre Stat-free	2x1"	AFO0SEM135100H1	AFO0ELF135021H1
195	300 l/min	21 µm microfibre Stat-free	1"1/2	AFO0SEM195150H1	AFO0ELF195021H1
	250 l/min	10 µm microfibre Stat-free	1"1/2	AFO0SEM195150H2	AFO0ELF195010H2
	300 l/min	21 µm microfibre Stat-free	1"1/4 + 1" + 1"	AFO0SEM195125H1	AFO0ELF195021H1
	250 l/min	10 µm microfibre Stat-free	1"1/4 + 1" + 1"	AFO0SEM195125H2	AFO0ELF195010H2
Extra Accessories	Description		Specific	Product Code	Spare Parts
for Filters Hydac	clogging indicator		visual	AFO0SEMACCIIVH0	/
	clogging indicator		electric	AFO0SEMACCSIEH0	/

### Air breather caps



					Oil and combined tanks
Products Range	Description	Specifics	Product Code	Spare Parts-Cartridge	
Oil tanks	Nylon air breather cap with air filter anti-splash and fixing screws	h 69 mm - air cartridge paper 10 µm	ATPOPLSCAR0ILHA	AFA0CARCILT0PH1	
Extra Accessories	Description	Specifics	Product Code	Spare Parts	
for Oil Cap Hydac	clogging indicator	visual	ATPOPLSCARIIVHX	/	

### Level indicators



					Oil and combined tanks
Products Range	Description	Specifics	Product Code	Spare Parts	
Oil tanks	sight level gauge	not graduated - 127 mm distance between centers (M12)	AILOVISLIQ127H0	/	
		not graduated - 127 mm distance between centers (M12) - low level electric sensor	AILOVISLIQ127HS	/	
		graduated - 127 mm distance between centers (M12) - thermometer	AILOVISLIQ127HT	/	
		not graduated - 254 mm distance between centers (M12)	AILOVISLIQ254H0	/	
		not graduated - 254 mm distance between centers (M12) - low level electric sensor	AILOVISLIQ254HS	/	
		graduated - 254 mm distance between centers (M12) - thermometer	AILOVISLIQ254HT	/	
		not graduated - 381 mm distance between centers (M12)	AILOVISLIQ381H0	/	
		Extra Accessories	Description	Specifics	Product Code
for level indicator Hydac	electric temperature sensor for sight level gauge with low level sensor	70°	AIT0ELE070000H0	/	
	electric temperature sensor for sight level gauge with low level sensor	80°	AIT0ELE080000H0	/	